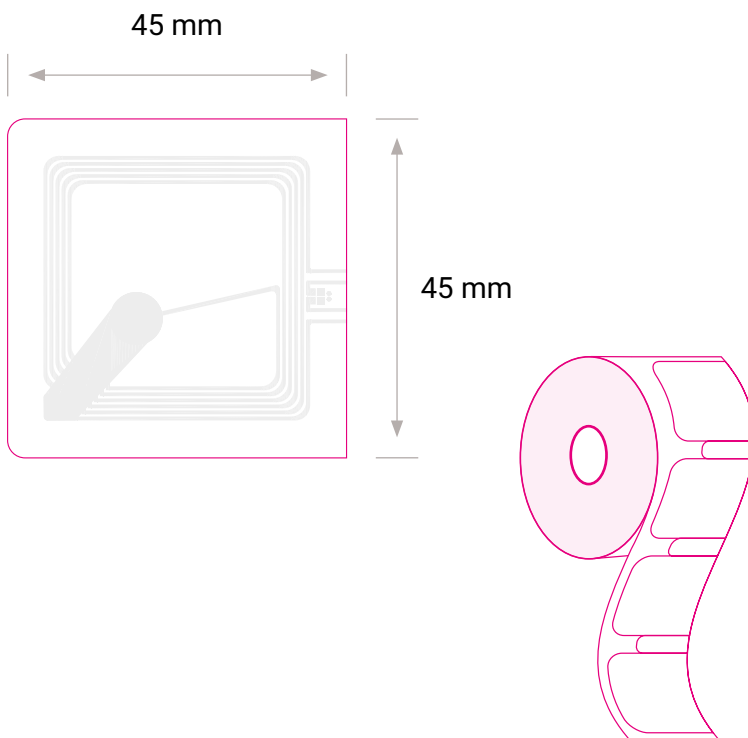
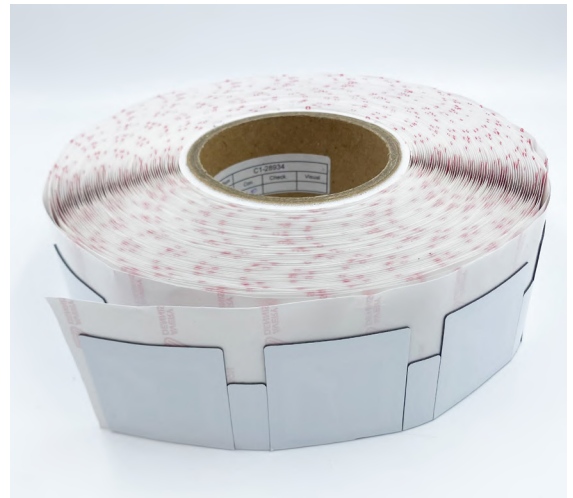


PRODUCT DATASHEET

Tamper Proof On-metal NFC Tags NTAG213 45x45mm

Reference: SC-N213-45TP

Tamper-proof NFC tags, also suitable for metal surfaces. In the event of an attempt to remove it, its antenna breaks and the chip stops working. Ideal in contexts where it is important to verify that a product or a machine has not been tampered.



Dimensions

Label size
45 x 45 mm

Overall thickness
Approx. 0.8 mm

Contactless IC chip

Manufacturer
NXP

Chip module
NTAG213

Operating frequency
13.56 MHz

User memory
144 byte

7-byte Unique ID (UID)

Communication rate
106 kbit/s

Compliance
ISO/IEC 14443-A / NFC Forum Type 2

Read/Write endurance
100,000 cycles

Data retention
10 years

Technical features

| | |
|-------------------------------------|---|
| Application | Suitable for application on any surfaces, even metal ones |
| Reading distance | 1-5 cm (depending on the reader) |
| Face material | Printable white PET |
| Antenna material | Aluminum |
| Adhesive | High performance acrylic adhesive |
| Structure | Flexible structure |
| Operating temperature | -20° and 70°C |
| Storage temperature/humidity | +23°C / 50% RH |
| Protection class | IP67 |
| Weight | 2.65 g |
| Commodity code (HS) | 85235200 |
| Country of origin | India |

Options

Encoding with URL (fixed or dynamic)

Black printing

UID collecting / printing / pairing

Product installation

Ensure the application surface is not uneven and is clean and dry, to obtain maximum bond strength.
If required, use approved cleaning solvents to clean surface.

Avoid touching the backside of the label while mounting it.

Certificate

This product is identified and certified by SGS in accordance with the RoHS Directive 2002/95/EC and its amendment directive.

